

HIGH DENSITY NEXUS RANGER BREAK-AWAY OUTSIDE PANEL MOUNT JACK

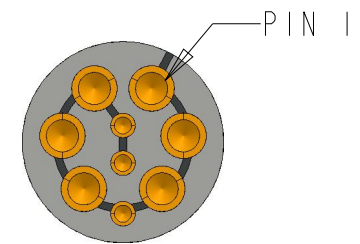
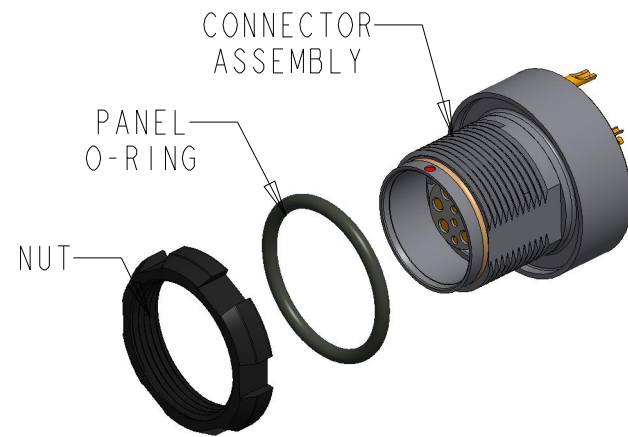
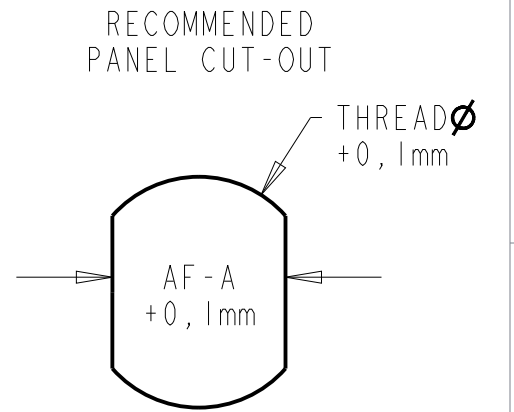
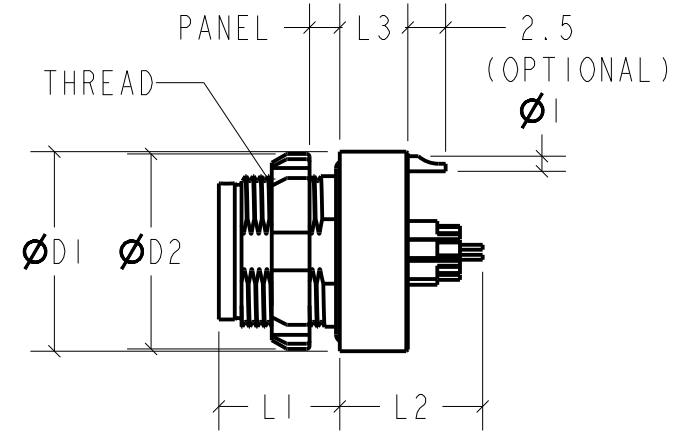
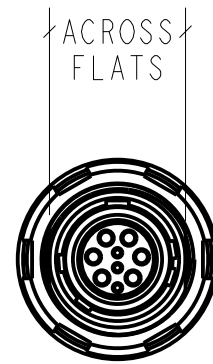


SIZE 0



SIZE 1

SIZE	L1	L2	L3	ØD1	ØD2	AF-A	THREAD	PANEL
0	.315" [8,0]	.34" [8,7]	.18" [4,5]	.52" [13,2]	.51" [13,0]	.35" [9,0]	M10x0,50	.15" [4,0]
1	.315" [8,0]	.40" [10,2]	.18" [4,5]	.60" [15,3]	.59" [15,0]	.45" [11,5]	M12x0,50	.15" [4,0]



PATTERN FOR FEMALE CONTACTS
9-PIN SHOWN FOR REFERENCE

SPECIFICATIONS

INGRESS RATING	IP68/1m IP69k WHEN MATED
OPERATING TEMPERATURE	-51°C TO 125°C
CORROSION RESISTANCE	96Hr SALT FOG
MECHANICAL ENDURANCE	5,000 MATING CYCLES
CONTACT RESISTANCE	PIN TO PIN - <10mΩ
	SHELL TO SHELL - <5mΩ
INSULATION RESISTANCE	>100MΩ
SHIELDING EFFECTIVENESS	>65dB
CONTACT MATERIAL	GOLD PLATED BRASS ALLOY

NOTES:

- BREAK-AWAY NON-LOCKING MATING
- STANDARD PLATING IS CONDUCTIVE RUTHENIUM
- GROUND TAG IS PROVIDED FOR TERMINATION OF SHIELD TO SHELL
- KEYING MUST MATCH MATING CONNECTOR

KEYING CONFIGURATIONS

PATTERN OF MALE CONNECTOR SHOWN AT CONTACT END			
A - BROWN	B - RED	C - BLUE	D - GREEN



THIS DOCUMENT CONTAINS PROPRIETARY INFORMATION OF NEXUS, INCORPORATED AND SUCH INFORMATION MAY NOT BE DISCLOSED TO OTHERS FOR ANY PURPOSE OR USED FOR ANY PURPOSE WITHOUT THE WRITTEN CONSENT OF NEXUS.

				DWN. BY BAM	DATE 10/05/2023	MATERIAL	
				CHECKED BY	DATE	FINISH	
				APPR. BY	DATE	WEIGHT	SCALE = 2:1
A2	UPDATE DIMS TABLE		10/03/2024	UNLESS OTHERWISE SPECIFIED: DIMENSIONS ARE IN INCHES &/OR [mm] TOLERANCES:		TITLE HIGH DENSITY RANGER BREAKAWAY PANEL MOUNT JACK	
A1	UPDATE DIMS TABLE		10/27/2023	DECIMAL	.XX[X,X] .XXX[X,XX]		
A	NEW RELEASE		10/05/2023	FRACTION	± X/XX"	SIZE B	DWG. NO. NX-GKXW
LET.	REVISION	CN #	DATE	CHK	ANGLES	± X°	DO NOT SCALE DWG. SHEET 1 OF 2